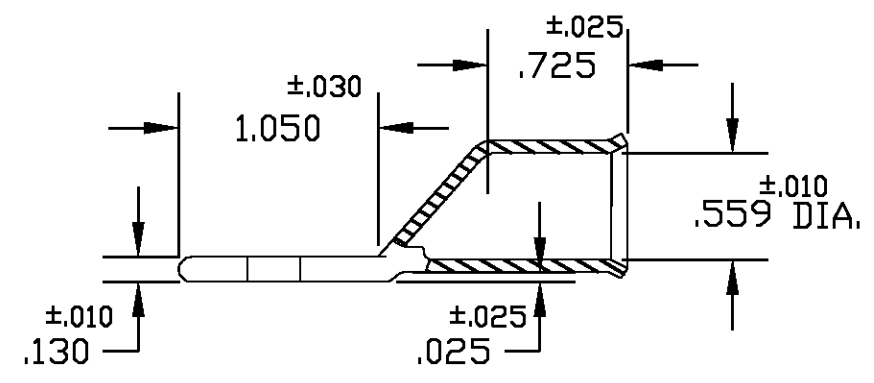
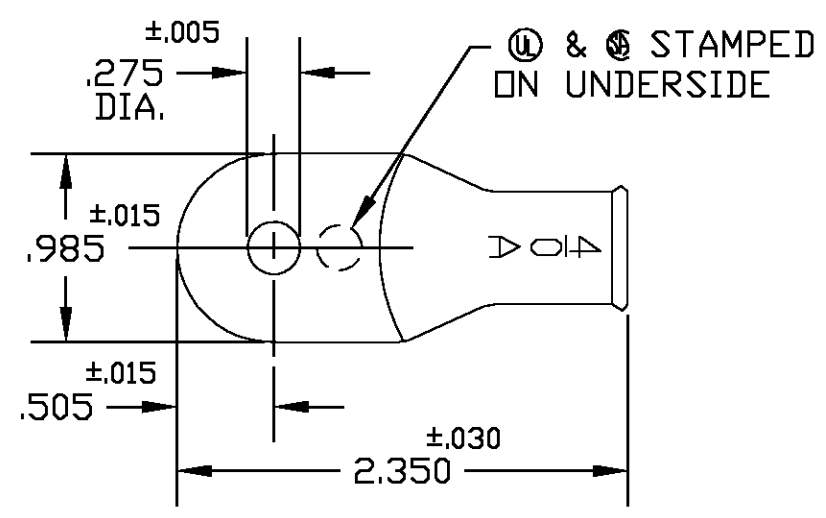


THIS DRAWING IS UNPUBLISHED. RELEASED FOR PUBLICATION
 © COPYRIGHT BY TYCO ELECTRONICS CORPORATION. ALL RIGHTS RESERVED.

LOC	DIST	REVISIONS					
		P	LTR	DESCRIPTION	DATE	DWN	APVD
G	50		B	REV PER 0G3H-0088-04	30MAR04	JR	MS



ACTIVE	40141-01	STANDARD	TIN PLATE	1526830-2
ACTIVE	40141-00	STANDARD	PLAIN	1526830-1
STATUS	AET P/N	PACKAGING	FINISH	PART NUMBER

THIS DRAWING IS A CONTROLLED DOCUMENT.		DWN D.A.A 11/2/00	Tyco Electronics Corporation Harrisburg, PA 17105-3608			
DIMENSIONS: INCHES		CHK H.D.F 11/2/00				NAME 4/0A STANDARD TERMINAL
		APVD H.D.F 11/2/00	PRODUCT SPEC -			
0 PLC ± - 1 PLC ± - 2 PLC ± - 3 PLC ± - 4 PLC ± - ANGLES ± -		APPLICATION SPEC -	SIZE A3	CAGE CODE 00779	DRAWING NO C-1526830	RESTRICTED TO -
MATERIAL COPPER ASTM B-152		FINISH -	WEIGHT -		CUSTOMER DRAWING	
			SCALE 1:1	SHEET 1 OF 1	REV B	